

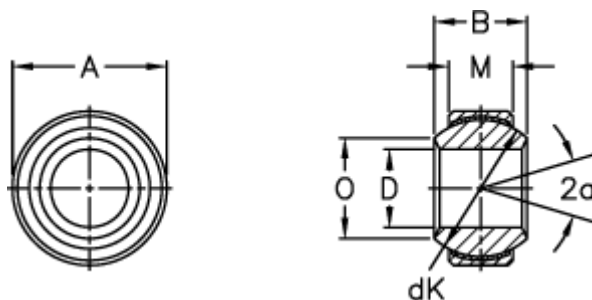
Data Sheet



Article number: 03508180

Description: Fluro Rod end GE 180FW-2RS

Measures



A = 290 0 -0,035

B = 155

D = 180 0 -0,025

dK = 250

Dynamic load C (kN) = 4000

M = 100

O = 196.1

Static load C0 (kN) = 8000

Tilt angle = 14

Weight = 33600